

SuperSix EVO

Hi-Mod Disc Dura Ace Di2



C11150M

Frame	All-New, BallisTec Hi-MOD Carbon, integrated cable routing w/ Switchplate, 142x12 Speed Release thru-axle, SAVE, PF30a, flat mount disc, integrated seat binder
Fork	All-New, BallisTec Hi-MOD Carbon, SAVE, 1-1/8" to 1-1/4" steerer, integrated crown race, 12x100mm Speed Release thru-axle, flat mount disc, internal routing, 55mm offset (47-54cm) 45mm offset (56-62cm)
Rims	HollowGram 45 SL KNØT, Carbon, 20h front, 24h rear, 45mm deep, 21mm ID, tubeless ready
Hubs	(F) HollowGram KNØT, sealed bearing 12x100 centerlock / (R) HollowGram KNØT, 12x142 centerlock w/ DT Swiss internals
Spokes	DT Swiss Aerolite
Tires	Vittoria Corsa, 700 x 25c
Pedals	Not Included
Crank	HollowGram SiSL2 w/ pre-installed power2max NG Eco Power Meter (not activated), BB30a, Vision rings, 52/36
Bottom Bracket	Cannondale Alloy PressFit30

Chain	Shimano Dura-Ace, 11-speed
Rear Cogs	Shimano Dura-Ace, 11-30, 11-speed
Front Derailleur	Shimano Dura-Ace Di2, braze-on
Rear Derailleur	Shimano Dura-Ace Di2
Shifters	Shimano Dura-Ace hydro disc, 2x11
Handlebar	HollowGram SystemBar SAVE, Carbon, 8 deg. pitch adjust
Grips	Cannondale Grip Bar Tape w/Gel, 3.5mm
Stem	All-New HollowGram KNØT, alloy w/ cable cover, -6°
Headset	SuperSix, 1-1/4" lower bearing, 25mm top cap
Brakes	Shimano Dura Ace Di2 hydro disc, 160/140mm RT900 rotors
Brake Levers	Shimano Dura-Ace hydro disc
Saddle	Prologo Dimension Nack NDR, 143mm width, carbon rails
Seatpost	All-New HollowGram 27 SL KNØT, carbon, 2 bolt clamp, 330mm
Connectivity	Wheel Sensor
Sizes	44, 48, 51, 54, 56, 58, 60, 62
Color 1	Black (BLK)

cannondale

CANNONDALE.COM\SUPERSIX_EVO

SuperSix EVO

Hi-Mod Disc Ultegra



C11370M

Frame	All-New, BallisTec Hi-MOD Carbon, integrated cable routing w/ Switchplate, 142x12 Speed Release thru-axle, SAVE, PF30a, flat mount disc, integrated seat binder
Fork	All-New, BallisTec Hi-MOD Carbon, SAVE, 1-1/8" to 1-1/4" steerer, integrated crown race, 12x100mm Speed Release thru-axle, flat mount disc, internal routing, 55mm offset (47-54cm) 45mm offset (56-62cm)
Rims	HollowGram 35 KNØT, Carbon, 20h front, 24h rear, 45mm deep, 21mm ID, tubeless ready
Hubs	(F) HollowGram KNØT, sealed bearing 12x100 centerlock / (R) HollowGram KNØT, 12x142 centerlock w/ DT Swiss internals
Spokes	DT Swiss Aerolite
Tires	Vittoria Rubino Pro Bright, 700 x 25c
Pedals	Not Included
Crank	HollowGram Si, BB30a, OPI SpideRing, 50/34
Bottom Bracket	Cannondale Alloy PressFit30

Chain	Shimano HG601, 11-speed
Rear Cogs	Shimano Ultegra, 11-32, 11-speed
Front Derailleur	Shimano Ultegra, braze-on
Rear Derailleur	Shimano Ultegra
Shifters	Shimano Ultegra hydro disc, 2x11
Handlebar	HollowGram SystemBar SAVE, Carbon, 8 deg. pitch adjust
Grips	Cannondale Grip Bar Tape w/Gel, 3.5mm
Stem	All-New HollowGram KNØT, alloy w/ cable cover, -6°
Headset	SuperSix, 1-1/4" lower bearing, 25mm top cap
Brakes	Shimano Ultegra hydro disc, 160mm RT54 rotors
Brake Levers	Shimano Ultegra hydro disc
Saddle	Prologo Nago RS STN
Seatpost	All-New HollowGram 27 SL KNØT, carbon, 2 bolt clamp, 330mm
Connectivity	Wheel Sensor
Sizes	44, 48, 51, 54, 56, 58, 60, 62
Color 1	Team Replica (REP)

cannondale

CANNONDALE.COM\SUPERSIX_EVO

SuperSix EVO

Hi-Mod Disc Ultegra Di2



C11250M

Frame	All-New, BallisTec Hi-MOD Carbon, integrated cable routing w/ Switchplate, 142x12 Speed Release thru-axle, SAVE, PF30a, flat mount disc, integrated seat binder
Fork	All-New, BallisTec Hi-MOD Carbon, SAVE, 1-1/8" to 1-1/4" steerer, integrated crown race, 12x100mm Speed Release thru-axle, flat mount disc, internal routing, 55mm offset (47-54cm) 45mm offset (56-62cm)
Rims	HollowGram 45 SL KNØT, Carbon, 20h front, 24h rear, 45mm deep, 21mm ID, tubeless ready
Hubs	(F) HollowGram KNØT, sealed bearing 12x100 centerlock / (R) HollowGram KNØT, 12x142 centerlock w/ DT Swiss internals
Spokes	DT Swiss Aerolite
Tires	Vittoria Corsa, 700 x 25c
Pedals	Not Included
Crank	HollowGram w/ pre-installed power2max NG Eco Power Meter (not activated), BB30a, FSA rings, 52/36
Bottom Bracket	Cannondale Alloy PressFit30

Chain	Shimano HG701, 11-speed
Rear Cogs	Shimano 105, 11-30, 11-speed
Front Derailleur	Shimano Ultegra Di2, braze-on
Rear Derailleur	Shimano Ultegra Di2
Shifters	Shimano Ultegra Di2 hydro disc, 2x11
Handlebar	HollowGram SystemBar SAVE, Carbon, 8 deg. pitch adjust
Grips	Cannondale Grip Bar Tape w/Gel, 3.5mm
Stem	All-New HollowGram KNØT, alloy w/ cable cover, -6°
Headset	SuperSix, 1-1/4" lower bearing, 25mm top cap
Brakes	Shimano Ultegra Di2 hydro disc, 160/140mm RT70 rotors
Brake Levers	Shimano Ultegra Di2 hydro disc
Saddle	Prologo Dimension NDR, 143mm width, Tirox rails
Seatpost	All-New HollowGram 27 SL KNØT, carbon, 2 bolt clamp, 330mm
Connectivity	Wheel Sensor
Sizes	44, 48, 51, 54, 56, 58, 60, 62
Color 1	Carbon (CRB)

cannondale

CANNONDALE.COM\SUPERSIX_EVO

SuperSix EVO

Carbon Disc Women's Ultegra Di2



C11350F

Frame	All-New, BallisTec Carbon, integrated cable routing w/ Switchplate, 142x12 Speed Release thru-axle, SAVE, PF30a, flat mount disc, integrated seat binder
Fork	All-New BallisTec Carbon, SAVE, 1-1/8" to 1-1/4" steerer, integrated crown race, 12x100mm Speed Release thru-axle, flat mount disc, internal routing, 55mm offset
Rims	HollowGram 45 SL KNØT, Carbon, 20h front, 24h rear, 45mm deep, 21mm ID, tubeless ready
Hubs	(F) HollowGram KNØT, sealed bearing 12x100 centerlock / (R) HollowGram KNØT, 12x142 centerlock w/ DT Swiss internals
Spokes	DT Swiss Aerolite
Tires	Vittoria Corsa, 700 x 25c
Pedals	Not Included
Crank	HollowGram w/ pre-installed power2max NG Eco Power Meter (not activated), BB30a, FSA rings, 52/36
Bottom Bracket	Cannondale Alloy PressFit30

Chain	Shimano HG701, 11-speed
Rear Cogs	Shimano 105, 11-32, 11-speed
Front Derailleur	Shimano Ultegra Di2, braze-on
Rear Derailleur	Shimano Ultegra Di2 GS
Shifters	Shimano Ultegra Di2 hydro disc, 2x11
Handlebar	HollowGram SystemBar SAVE, Carbon, 8 deg. pitch adjust
Grips	Prologo One Touch
Stem	All-New HollowGram KNØT, alloy w/ cable cover, -6°
Headset	SuperSix, 1-1/4" lower bearing, 25mm top cap
Brakes	Shimano Ultegra Di2 hydro disc, 160/140mm RT70 rotors
Brake Levers	Shimano Ultegra Di2 hydro disc
Saddle	Prologo Dimension Space, Tirox rails
Seatpost	All-New HollowGram 27 SL KNØT, carbon, 2 bolt clamp, 330mm
Connectivity	Wheel Sensor
Sizes	44, 48, 51, 54
Color 1	Black Pearl (BPL)

cannondale

CANNONDALE.COM\SUPERSIX_EVO

SuperSix EVO

Hi-Mod Disc Dura Ace



C11350M

Frame	All-New, BallisTec Hi-MOD Carbon, integrated cable routing w/ Switchplate, 142x12 Speed Release thru-axle, SAVE, PF30a, flat mount disc, integrated seat binder
Fork	All-New, BallisTec Hi-MOD Carbon, SAVE, 1-1/8" to 1-1/4" steerer, integrated crown race, 12x100mm Speed Release thru-axle, flat mount disc, internal routing, 55mm offset (47-54cm) 45mm offset (56-62cm)
Rims	HollowGram 45 KNØT, Carbon, 20h front, 24h rear, 45mm deep, 21mm ID, tubeless ready
Hubs	(F) HollowGram KNØT, sealed bearing 12x100 centerlock / (R) HollowGram KNØT, 12x142 centerlock w/ DT Swiss internals
Spokes	Formula Grand Forza
Tires	Vittoria Rubino Pro Bright Black, 700 x 25c
Pedals	Not Included
Crank	HollowGram w/ pre-installed power2max NG Eco Power Meter (not activated), BB30a, FSA rings, 52/36
Bottom Bracket	Cannondale Alloy PressFit30

Chain	Shimano HG701, 11-speed
Rear Cogs	Shimano Ultegra, 11-30, 11-speed
Front Derailleur	Shimano Dura-Ace, braze-on
Rear Derailleur	Shimano Dura-Ace
Shifters	Shimano Dura-Ace hydro disc, 2x11
Handlebar	HollowGram SystemBar SAVE, Carbon, 8 deg. pitch adjust
Grips	Cannondale Grip Bar Tape w/Gel, 3.5mm
Stem	All-New HollowGram KNØT, alloy w/ cable cover, -6°
Headset	SuperSix, 1-1/4" lower bearing, 25mm top cap
Brakes	Shimano Dura Ace hydro disc, 160/140mm RT800 rotors
Brake Levers	Shimano Dura-Ace hydro disc
Saddle	Prologo Dimension NDR, 143mm width, Tirox rails
Seatpost	All-New HollowGram 27 SL KNØT, carbon, 2 bolt clamp, 330mm
Connectivity	Wheel Sensor
Sizes	44, 48, 51, 54, 56, 58, 60, 62
Color 1	Agave (AGV)

cannondale

CANNONDALE.COM\SUPERSIX_EVO

SuperSix EVO

Carbon Disc Force eTap AXS



C11450M

Frame	All-New, BallisTec Carbon, integrated cable routing w/ Switchplate, 142x12 Speed Release thru-axle, SAVE, PF30a, flat mount disc, integrated seat binder
Fork	All-New, BallisTec Carbon, SAVE, 1-1/8" to 1-1/4" steerer, integrated crown race, 12x100mm Speed Release thru-axle, flat mount disc, internal routing, 55mm offset (47-54cm) 45mm offset (56-62cm)
Rims	HollowGram 35, Carbon Clincher Disc, 19mm inner, 35mm deep, tubeless ready
Hubs	(F) Cannondale HollowGram Sealed Bearing, straight pull, 12x100 / (R) Cannondale HollowGram Sealed Bearing, straight pull, 12x142
Spokes	Formula Grand Forza
Tires	Vittoria Rubino Pro Bright Black, 700 x 25c
Pedals	Not Included
Crank	SRAM Force eTap AXS
Bottom Bracket	SRAM PF30

Chain	SRAM Force eTap AXS
Rear Cogs	SRAM Force eTap AXS
Front Derailleur	SRAM Force eTap AXS, braze-on
Rear Derailleur	SRAM Force eTap AXS
Shifters	SRAM Force eTap AXS
Handlebar	HollowGram SystemBar SAVE, Carbon, 8 deg. pitch adjust
Grips	Cannondale Grip Bar Tape w/Gel, 3.5mm
Stem	All-New HollowGram KNØT, alloy w/ cable cover, -6°
Headset	SuperSix, 1-1/4" lower bearing, 25mm top cap
Brakes	SRAM Force eTap AXS, 160/160mm Centerlock rotors
Brake Levers	SRAM Force eTap AXS
Saddle	Prologo Dimension STN NDR, steel rails
Seatpost	All-New HollowGram 27 SL KNØT, carbon, 2 bolt clamp, 330mm
Connectivity	Wheel Sensor
Sizes	44, 48, 51, 54, 56, 58, 60, 62
Color 1	Cashmere (CAS)

cannondale

CANNONDALE.COM\SUPERSIX_EVO

SuperSix EVO

Carbon Disc Women's Ultegra



C11550F

Frame	All-New, BallisTec Carbon, integrated cable routing w/ Switchplate, 142x12 Speed Release thru-axle, SAVE, PF30a, flat mount disc, integrated seat binder
Fork	All-New BallisTec Carbon, SAVE, 1-1/8" to 1-1/4" steerer, integrated crown race, 12x100mm Speed Release thru-axle, flat mount disc, internal routing, 55mm offset
Rims	HollowGram 35, Carbon Clincher Disc, 19mm inner, 35mm deep, tubeless ready
Hubs	(F) Cannondale HollowGram Sealed Bearing, straight pull, 12x100 / (R) Cannondale HollowGram Sealed Bearing, straight pull, 12x142
Spokes	Formula Grand Forza
Tires	Vittoria Rubino Pro Bright Black, 700 x 25c
Pedals	Not Included
Crank	Cannondale 1, BB30a, FSA rings, 52/36
Bottom Bracket	Cannondale Alloy PressFit30

Chain	Shimano HG601, 11-speed
Rear Cogs	Shimano 105, 11-32, 11-speed
Front Derailleur	Shimano Ultegra, braze-on
Rear Derailleur	Shimano Ultegra GS
Shifters	Shimano Ultegra hydro disc, 2x11
Handlebar	Cannondale 2, 7050 Alloy, Compact
Grips	Cannondale Grip Bar Tape w/Gel, 3.5mm
Stem	Cannondale 2, 6061 Alloy, 31.8, 7°
Headset	SuperSix, 1-1/4" lower bearing, 25mm top cap
Brakes	Shimano Ultegra hydro disc, 160/160mm RT54 rotors
Brake Levers	Shimano Ultegra hydro disc
Saddle	Prologo Kappa Dea RS
Seatpost	All-New HollowGram 27 KNØT, Alloy, 2 bolt clamp, 330mm
Connectivity	Wheel Sensor
Sizes	44, 48, 51, 54
Color 1	Champagne (CHP)

cannondale

CANNONDALE.COM\SUPERSIX_EVO

SuperSix EVO

Carbon Disc Ultegra



C11550M

Frame	All-New, BallisTec Carbon, integrated cable routing w/ Switchplate, 142x12 Speed Release thru-axle, SAVE, PF30a, flat mount disc, integrated seat binder
Fork	All-New, BallisTec Carbon, SAVE, 1-1/8" to 1-1/4" steerer, integrated crown race, 12x100mm Speed Release thru-axle, flat mount disc, internal routing, 55mm offset (47-54cm) 45mm offset (56-62cm)
Rims	HollowGram Si, Carbon Clincher Disc, 19mm inner, 35mm deep, tubeless ready
Hubs	(F) HollowGram Sealed Bearing, straight pull, 12x100 / (R) HollowGram Sealed Bearing, straight pull, 12x142
Spokes	Formula Grand Forza
Tires	Vittoria Rubino Pro Bright Black, 700 x 25c
Pedals	Not Included
Crank	Cannondale 1, BB30a, FSA rings, 52/36
Bottom Bracket	Cannondale Alloy PressFit30
Chain	Shimano HG601, 11-speed

Rear Cogs	Shimano 105, 11-32, 11-speed
Front Derailleur	Shimano Ultegra, braze-on
Rear Derailleur	Shimano Ultegra GS
Shifters	Shimano Ultegra hydro disc, 2x11
Handlebar	Cannondale 2, 7050 Alloy, Compact
Grips	Cannondale Grip Bar Tape w/Gel, 3.5mm
Stem	Cannondale 2, 6061 Alloy, 31.8, 7°
Headset	SuperSix, 1-1/4" lower bearing, 25mm top cap
Brakes	Shimano Ultegra hydro disc, 160/160mm RT54 rotors
Brake Levers	Shimano Ultegra hydro disc
Saddle	Prologo Nago RS STN
Seatpost	All-New HollowGram 27 KNØT, Alloy, 2 bolt clamp, 330mm
Connectivity	Wheel Sensor
Sizes	44, 48, 51, 54, 56, 58, 60, 62
Color 1	BBQ (BBQ)
Color 2	Goldfinger (GDF)



cannondale

CANNONDALE.COM\SUPERSIX_EVO

SuperSix EVO

Carbon Disc Women's Ultegra



C11560F

Frame	All-New, BallisTec Carbon, integrated cable routing w/ Switchplate, 142x12 Speed Release thru-axle, SAVE, PF30a, flat mount disc, integrated seat binder
Fork	All-New BallisTec Carbon, SAVE, 1-1/8" to 1-1/4" steerer, integrated crown race, 12x100mm Speed Release thru-axle, flat mount disc, internal routing, 55mm offset
Rims	HollowGram 35, Carbon Clincher Disc, 19mm inner, 35mm deep, tubeless ready
Hubs	(F) Cannondale HollowGram Sealed Bearing, straight pull, 12x100 / (R) Cannondale HollowGram Sealed Bearing, straight pull, 12x142
Spokes	Formula Grand Forza
Tires	Vittoria Rubino Pro Bright Black, 700 x 25c
Pedals	Not Included
Crank	Cannondale 1, BB30a, FSA rings, 52/36
Bottom Bracket	Cannondale Alloy PressFit30

Chain	Shimano HG601, 11-speed
Rear Cogs	Shimano 105, 11-32, 11-speed
Front Derailleur	Shimano Ultegra, braze-on
Rear Derailleur	Shimano Ultegra GS
Shifters	Shimano Ultegra hydro disc, 2x11
Handlebar	Cannondale 2, 7050 Alloy, Compact
Grips	Cannondale Grip Bar Tape w/Gel, 3.5mm
Stem	Cannondale 2, 6061 Alloy, 31.8, 7°
Headset	SuperSix, 1-1/4" lower bearing, 25mm top cap
Brakes	Shimano Ultegra hydro disc, 160/160mm RT54 rotors
Brake Levers	Shimano Ultegra hydro disc
Saddle	Prologo Kappa Dea RS
Seatpost	All-New HollowGram 27 KNØT, Alloy, 2 bolt clamp, 330mm
Connectivity	Wheel Sensor
Sizes	44, 48, 51, 54
Color 1	Champagne (CHP)

cannondale

CANNONDALE.COM\SUPERSIX_EVO

SuperSix EVO

Carbon Disc Ultegra



C11570M

Frame	All-New, BallisTec Carbon, integrated cable routing w/ Switchplate, 142x12 Speed Release thru-axle, SAVE, PF30a, flat mount disc, integrated seat binder
Fork	All-New, BallisTec Carbon, SAVE, 1-1/8" to 1-1/4" steerer, integrated crown race, 12x100mm Speed Release thru-axle, flat mount disc, internal routing, 55mm offset (47-54cm) 45mm offset (56-62cm)
Rims	HollowGram Si, Carbon Clincher Disc, 19mm inner, 35mm deep, tubeless ready
Hubs	(F) HollowGram Sealed Bearing, straight pull, 12x100 / (R) HollowGram Sealed Bearing, straight pull, 12x142
Spokes	Formula Grand Forza
Tires	Vittoria Rubino Pro Bright Black, 700 x 25c
Pedals	Not Included
Crank	Cannondale 1, BB30a, FSA rings, 52/36
Bottom Bracket	Cannondale Alloy PressFit30
Chain	Shimano HG601, 11-speed

Rear Cogs	Shimano 105, 11-32, 11-speed
Front Derailleur	Shimano Ultegra, braze-on
Rear Derailleur	Shimano Ultegra GS
Shifters	Shimano Ultegra hydro disc, 2x11
Handlebar	Cannondale 2, 7050 Alloy, Compact
Grips	Cannondale Grip Bar Tape w/Gel, 3.5mm
Stem	Cannondale 2, 6061 Alloy, 31.8, 7°
Headset	SuperSix, 1-1/4" lower bearing, 25mm top cap
Brakes	Shimano Ultegra hydro disc, 160/160mm RT54 rotors
Brake Levers	Shimano Ultegra hydro disc
Saddle	Prologo Nago RS STN
Seatpost	All-New HollowGram 27 KNØT, Alloy, 2 bolt clamp, 330mm
Connectivity	Wheel Sensor
Sizes	44, 48, 51, 54, 56, 58, 60, 62
Color 1	BBQ (BBQ)

cannondale

CANNONDALE.COM\SUPERSIX_EVO

SuperSix EVO

Carbon Ultegra 2



C11600M

Frame	All-New, BallisTec Carbon, direct mount rim brake, integrated cable routing w/ Switchplate, 130×9mm QR, SAVE, PF30a, integrated seat binder
Fork	All-New, BallisTec Carbon, direct mount rim brake, SAVE, 1-1/8" to 1-1/4" steerer, integrated crown race, 100×9mm QR, 55mm offset (47-54cm) 45mm offset (56-62cm)
Rims	Fulcrum Racing 500
Hubs	(F) Fulcrum Racing 500 / (R) Fulcrum Racing 500
Spokes	Fulcrum, Stainless steel
Tires	Vittoria Zaffiro Pro Slick, 700 × 25c
Pedals	Not Included
Crank	Cannondale 1, BB30a, FSA rings, 52/36
Bottom Bracket	Cannondale Alloy PressFit30
Chain	Shimano HG601, 11-speed
Rear Cogs	Shimano 105, 11-30, 11-speed

Front Derailleur	Shimano Ultegra, braze-on
Rear Derailleur	Shimano Ultegra GS
Shifters	Shimano Ultegra, 2×11
Handlebar	Cannondale 3, 6061 alloy, Compact
Grips	Cannondale Grip Bar Tape w/Gel, 3.5mm
Stem	Cannondale 3, 6061 alloy, 7-degree
Headset	SuperSix, 1-1/4" lower bearing, 25mm top cap
Brakes	Shimano Ultegra
Brake Levers	Shimano Ultegra
Saddle	Prologo Nago RS STN
Seatpost	All-New HollowGram 27 KNØT, Alloy, 2 bolt clamp, 330mm
Sizes	44, 48, 51, 54, 56, 58, 60, 62
Color 1	Black Pearl (BPL)
Color 2	Acid Red (ARD)



cannondale

CANNONDALE.COM\SUPERSIX_EVO

SuperSix EVO

Carbon Disc Women's 105



C11650F

Frame	All-New, BallisTec Carbon, integrated cable routing w/ Switchplate, 142x12 Speed Release thru-axle, SAVE, PF30a, flat mount disc, integrated seat binder
Fork	All-New BallisTec Carbon, SAVE, 1-1/8" to 1-1/4" steerer, integrated crown race, 12x100mm Speed Release thru-axle, flat mount disc, internal routing, 55mm offset
Rims	Fulcrum Racing 900 DB
Hubs	(F) Fulcrum Racing 900 DB, 12x100 / (R) Fulcrum Racing 900 DB, 12x142
Spokes	Fulcrum, Stainless steel
Tires	Vittoria Zaffiro Pro Slick, 700 x 25c
Pedals	Not Included
Crank	Cannondale 1, BB30a, FSA rings, 50/34
Bottom Bracket	Cannondale Alloy PressFit30
Chain	Shimano HG601, 11-speed

Rear Cogs	Shimano 105, 11-30, 11-speed
Front Derailleur	Shimano 105, braze-on
Rear Derailleur	Shimano 105 GS
Shifters	Shimano 105 hydro disc, 2x11
Handlebar	Cannondale 3, 6061 alloy, Compact
Grips	Cannondale Grip Bar Tape w/Gel, 3.5mm
Stem	Cannondale 3, 6061 alloy, 7-degree
Headset	SuperSix, 1-1/4" lower bearing, 25mm top cap
Brakes	Shimano 105 hydro disc, 160/160mm RT54 rotors
Brake Levers	Shimano 105 hydro disc
Saddle	Prologo Kappa Dea RS
Seatpost	All-New HollowGram 27 KNØT, Alloy, 2 bolt clamp, 330mm
Sizes	44, 48, 51, 54
Color 1	Emerald (EMR)

cannondale

CANNONDALE.COM\SUPERSIX_EVO

SuperSix EVO

Carbon Disc 105



C11650M

Frame	All-New, BallisTec Carbon, integrated cable routing w/ Switchplate, 142x12 Speed Release thru-axle, SAVE, PF30a, flat mount disc, integrated seat binder
Fork	All-New, BallisTec Carbon, SAVE, 1-1/8" to 1-1/4" steerer, integrated crown race, 12x100mm Speed Release thru-axle, flat mount disc, internal routing, 55mm offset (47-54cm) 45mm offset (56-62cm)
Rims	Fulcrum Racing 900 DB
Hubs	(F) Fulcrum Racing 900 DB, 12x100 / (R) Fulcrum Racing 900 DB, 12x142
Spokes	Fulcrum, Stainless steel
Tires	Vittoria Zaffiro Pro Slick, 700 x 25c
Pedals	Not Included
Crank	Cannondale 1, BB30a, FSA rings, 52/36
Bottom Bracket	Cannondale Alloy PressFit30
Chain	Shimano HG601, 11-speed

Rear Cogs	Shimano 105, 11-30, 11-speed
Front Derailleur	Shimano 105, braze-on
Rear Derailleur	Shimano 105 GS
Shifters	Shimano 105 hydro disc, 2x11
Handlebar	Cannondale 3, 6061 alloy, Compact
Grips	Cannondale Grip Bar Tape w/Gel, 3.5mm
Stem	Cannondale 3, 6061 alloy, 7-degree
Headset	SuperSix, 1-1/4" lower bearing, 25mm top cap
Brakes	Shimano 105 hydro disc, 160/160mm RT54 rotors
Brake Levers	Shimano 105 hydro disc
Saddle	Prologo Nago RS STN
Seatpost	All-New HollowGram 27 KNØT, Alloy, 2 bolt clamp, 330mm
Sizes	44, 48, 51, 54, 56, 58, 60, 62
Color 1	Black Pearl (BPL)
Color 2	Acid Red (ARD)



cannondale

CANNONDALE.COM\SUPERSIX_EVO

SuperSix EVO

Carbon Disc Women's 105



C11660F

Frame	All-New, BallisTec Carbon, integrated cable routing w/ Switchplate, 142x12 Speed Release thru-axle, SAVE, PF30a, flat mount disc, integrated seat binder
Fork	All-New BallisTec Carbon, SAVE, 1-1/8" to 1-1/4" steerer, integrated crown race, 12x100mm Speed Release thru-axle, flat mount disc, internal routing, 55mm offset
Rims	Fulcrum Racing 900 DB
Hubs	(F) Fulcrum Racing 900 DB, 12x100 / (R) Fulcrum Racing 900 DB, 12x142
Spokes	Fulcrum, Stainless steel
Tires	Vittoria Zaffiro Pro Slick, 700 x 25c
Pedals	Not Included
Crank	Cannondale 1, BB30a, FSA rings, 50/34
Bottom Bracket	Cannondale Alloy PressFit30
Chain	Shimano HG601, 11-speed

Rear Cogs	Shimano 105, 11-30, 11-speed
Front Derailleur	Shimano 105, braze-on
Rear Derailleur	Shimano 105 GS
Shifters	Shimano 105 hydro disc, 2x11
Handlebar	Cannondale 3, 6061 alloy, Compact
Grips	Cannondale Grip Bar Tape w/Gel, 3.5mm
Stem	Cannondale 3, 6061 alloy, 7-degree
Headset	SuperSix, 1-1/4" lower bearing, 25mm top cap
Brakes	Shimano 105 hydro disc, 160/160mm RT54 rotors
Brake Levers	Shimano 105 hydro disc
Saddle	Prologo Kappa Dea RS
Seatpost	All-New HollowGram 27 KNØT, Alloy, 2 bolt clamp, 330mm
Sizes	44, 48, 51, 54
Color 1	Emerald (EMR)

cannondale

CANNONDALE.COM\SUPERSIX_EVO

SuperSix EVO

Carbon Disc 105



C11660M

Frame	All-New, BallisTec Carbon, integrated cable routing w/ Switchplate, 142x12 Speed Release thru-axle, SAVE, PF30a, flat mount disc, integrated seat binder
Fork	All-New, BallisTec Carbon, SAVE, 1-1/8" to 1-1/4" steerer, integrated crown race, 12x100mm Speed Release thru-axle, flat mount disc, internal routing, 55mm offset (47-54cm) 45mm offset (56-62cm)
Rims	Fulcrum Racing 900 DB
Hubs	(F) Fulcrum Racing 900 DB, 12x100 / (R) Fulcrum Racing 900 DB, 12x142
Spokes	Fulcrum, Stainless steel
Tires	Vittoria Zaffiro Pro Slick, 700 x 25c
Pedals	Not Included
Crank	Cannondale 1, BB30a, FSA rings, 52/36
Bottom Bracket	Cannondale Alloy PressFit30
Chain	Shimano HG601, 11-speed

Rear Cogs	Shimano 105, 11-30, 11-speed
Front Derailleur	Shimano 105, braze-on
Rear Derailleur	Shimano 105 GS
Shifters	Shimano 105 hydro disc, 2x11
Handlebar	Cannondale 3, 6061 alloy, Compact
Grips	Cannondale Grip Bar Tape w/Gel, 3.5mm
Stem	Cannondale 3, 6061 alloy, 7-degree
Headset	SuperSix, 1-1/4" lower bearing, 25mm top cap
Brakes	Shimano 105 hydro disc, 160/160mm RT54 rotors
Brake Levers	Shimano 105 hydro disc
Saddle	Prologo Nago RS STN
Seatpost	All-New HollowGram 27 KNØT, Alloy, 2 bolt clamp, 330mm
Sizes	44, 48, 51, 54, 56, 58, 60, 62
Color 1	Black Pearl (BPL)
Color 2	Acid Red (ARD)



cannondale

CANNONDALE.COM\SUPERSIX_EVO

SuperSix EVO

Carbon Women's 105



C11750F

Frame	All-New, BallisTec Carbon, direct mount rim brake, integrated cable routing w/ Switchplate, 130×9mm QR, SAVE, PF30a, integrated seat binder
Fork	All-New, BallisTec Carbon, direct mount rim brake, SAVE, 1-1/8" to 1-1/4" steerer, integrated crown race, 100×9mm QR, 55mm offset
Rims	Fulcrum Racing 900
Hubs	(F) Fulcrum Racing 900 / (R) Fulcrum Racing 900
Spokes	Fulcrum, Stainless steel
Tires	Vittoria Zaffiro, 700 × 25c
Pedals	Not Included
Crank	Cannondale 1, BB30a, FSA rings, 50/34
Bottom Bracket	Cannondale Alloy PressFit30
Chain	Shimano HG601, 11-speed

Rear Cogs	Shimano 105, 11-30, 11-speed
Front Derailleur	Shimano 105, braze-on
Rear Derailleur	Shimano 105 GS
Shifters	Shimano 105, 2×11
Handlebar	Cannondale 3, 6061 alloy, Compact
Grips	Cannondale Grip Bar Tape w/Gel, 3.5mm
Stem	Cannondale 3, 6061 alloy, 7-degree
Headset	SuperSix, 1-1/4" lower bearing, 25mm top cap
Brakes	Shimano 105
Brake Levers	Shimano 105
Saddle	Prologo Kappa Dea RS
Seatpost	All-New HollowGram 27 KNØT, Alloy, 2 bolt clamp, 330mm
Sizes	44, 48, 51, 54
Color 1	Black (BLK)

cannondale

CANNONDALE.COM/SUPERSIX_EVO

SuperSix EVO

Carbon 105



C11750M

Frame	All-New, BallisTec Carbon, direct mount rim brake, integrated cable routing w/ Switchplate, 130×9mm QR, SAVE, PF30a, integrated seat binder
Fork	All-New, BallisTec Carbon, direct mount rim brake, SAVE, 1-1/8" to 1-1/4" steerer, integrated crown race, 100×9mm QR, 55mm offset (47-54cm) 45mm offset (56-62cm)
Rims	Fulcrum Racing 900
Hubs	(F) Fulcrum Racing 900 / (R) Fulcrum Racing 900
Spokes	Fulcrum, Stainless steel
Tires	Vittoria Zaffiro Pro Slick, 700 × 25c
Pedals	Not Included
Crank	Cannondale 1, BB30a, FSA rings, 52/36
Bottom Bracket	Cannondale Alloy PressFit30
Chain	Shimano HG601, 11-speed
Rear Cogs	Shimano 105, 11-30, 11-speed

Front Derailleur	Shimano 105, braze-on
Rear Derailleur	Shimano 105 GS
Shifters	Shimano 105, 2×11
Handlebar	Cannondale 3, 6061 alloy, Compact
Grips	Cannondale Grip Bar Tape w/Gel, 3.5mm
Stem	Cannondale 3, 6061 alloy, 7-degree
Headset	SuperSix, 1-1/4" lower bearing, 25mm top cap
Brakes	Shimano 105
Brake Levers	Shimano 105
Saddle	Prologo Nago RS STN
Seatpost	All-New HollowGram 27 KNØT, Alloy, 2 bolt clamp, 330mm
Sizes	44, 48, 51, 54, 56, 58, 60, 62
Color 1	BBQ (BBQ)
Color 2	Emerald (EMR)



cannondale

CANNONDALE.COM\SUPERSIX_EVO

SuperSix EVO

Carbon 105



C11760M

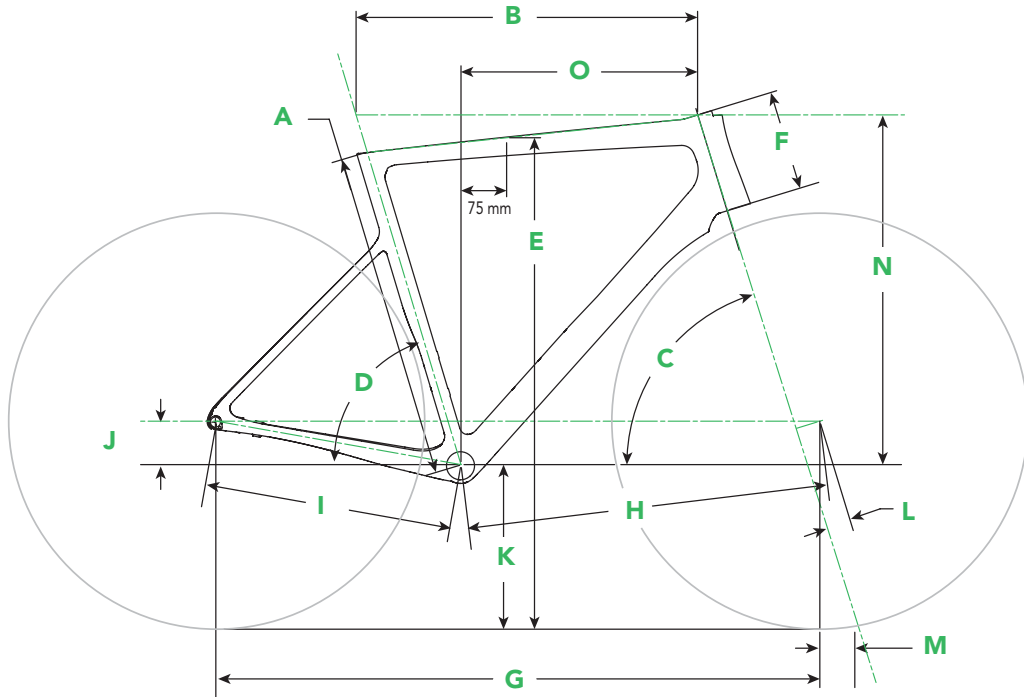
Frame	All-New, BallisTec Carbon, direct mount rim brake, integrated cable routing w/ Switchplate, 130×9mm QR, SAVE, PF30a, integrated seat binder
Fork	All-New, BallisTec Carbon, direct mount rim brake, SAVE, 1-1/8" to 1-1/4" steerer, integrated crown race, 100×9mm QR, 55mm offset (47-54cm) 45mm offset (56-62cm)
Rims	Fulcrum Racing 900
Hubs	(F) Fulcrum Racing 900 / (R) Fulcrum Racing 900
Spokes	Fulcrum, Stainless steel
Tires	Vittoria Zaffiro Pro Slick, 700 × 25c
Pedals	Not Included
Crank	Cannondale 1, BB30a, FSA rings, 52/36
Bottom Bracket	Cannondale Alloy PressFit30
Chain	Shimano HG601, 11-speed

Rear Cogs	Shimano 105, 11-30, 11-speed
Front Derailleur	Shimano 105, braze-on
Rear Derailleur	Shimano 105 GS
Shifters	Shimano 105, 2×11
Handlebar	Cannondale 3, 6061 alloy, Compact
Grips	Cannondale Grip Bar Tape w/Gel, 3.5mm
Stem	Cannondale 3, 6061 alloy, 7-degree
Headset	SuperSix, 1-1/4" lower bearing, 25mm top cap
Brakes	Shimano 105
Brake Levers	Shimano 105
Saddle	Prologo Nago RS STN
Seatpost	All-New HollowGram 27 KNØT, Alloy, 2 bolt clamp, 330mm
Sizes	44, 48, 51, 54, 56, 58, 60, 62
Color 1	BBQ (BBQ)

cannondale

CANNONDALE.COM\SUPERSIX_EVO

SuperSix EVO



	44	48	51	54	56	58	60	62
A Seat Tube Length (cm)	40.0	43.8	47.7	51.5	53.6	55.8	57.9	60.0
B Top Tube Horizontal (cm)	51.2	52.0	52.8	54.6	56.2	57.8	59.4	61.1
C Head Tube Angle	70.9°	71.2°	71.2°	71.2°	73.0°	73.0°	73.0°	73.0°
D Seat Tube Angle	74.3°	74.3°	74.3°	73.7°	73.3°	72.9°	72.5°	72.1°
E Standover (cm)	NA							
F Head Tube Length (cm)	9.9	11.4	13.0	15.3	16.4	18.8	20.9	23.0
G Wheelbase (cm)	97.9	98.5	99.4	100.	99.2	100.5	101.6	102.8
H Front Center (cm)	58.2	58.8	59.7	61.1	59.5	60.7	61.8	63.0
I Chain Stay Length (cm)	40.8	40.8	40.8	40.8	40.8	40.8	40.8	40.8
J Bottom Bracket Drop (cm)	7.4	7.4	7.4	7.2	7.2	6.9	6.9	6.9
K Bottom Bracket Height (cm)	26.8	26.8	26.8	27.1	27.1	27.3	27.3	27.3
L Fork Rake (cm)	5.5	5.5	5.5	5.5	4.5	4.5	4.5	4.5
M Trail (cm)	6.0	5.8	5.8	5.8	5.8	5.8	5.8	5.8
N Stack (cm)	50.4	51.9	53.4	55.4	57.4	59.4	61.4	63.4
O Reach (cm)	37.0	37.4	37.8	38.4	39.0	39.5	40.0	40.6